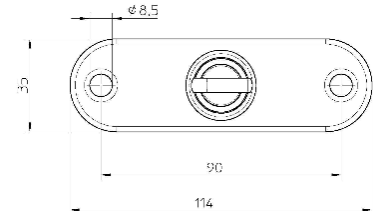
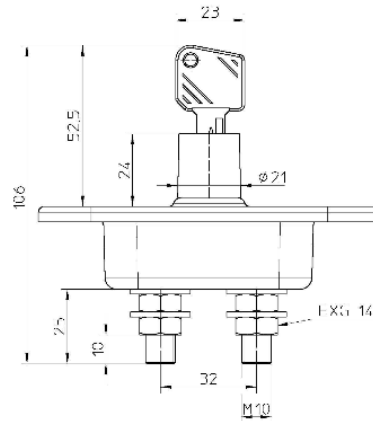


Technical Information Sheet

Part No. 0-605-20

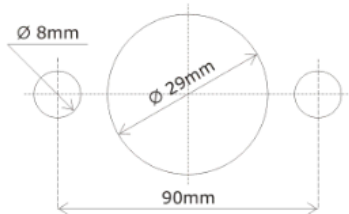
Key Operated Battery Isolator Switch

Battery isolator rated at 100A at 24V, 500A for 5 seconds. With removeable key in both the "Off" and "On" positions. 2 keys supplied.



All Dims in mm

Fixing diagram



Specification

Type	Battery Isolator
Voltage	12/24V
Max Continuous Load	100A at 24V
Max Intermittant Load	500A for 5 secs
Terminals	M10 Bolts
Tightening Torque	15 +/- 1 Nm

The information provided in this document is correct to the best of our knowledge at time of printing. However, specifications may change at any time without notice.